

Totally and Permanently Incapacitated (TPI) Veteran Travel Pass

Information and Application Form

The Totally and Permanently Incapacitated (TPI) Veteran Travel Pass entitles the holder to unlimited free travel on:

- TransLink bus, rail and ferry services in south east Queensland (excluding Brisbane Airtrain services)
- *qconnect* local bus services in regional towns and Queensland urban centres
- regional ferry services that offer government subsidised concessions.

The scheme is administered by the Department of Transport and Main Roads.

TPI veterans will maintain their current entitlement of one free return trip each fortnight on Traveltrain long distance rail services. You will still need to make a booking by contacting Queensland Rail Traveltrain on 1800 872 467 or visiting www.queenslandrail.com.au.

To be eligible for a TPI Veteran Travel Pass

The applicant must hold a Commonwealth Department of Veteran Affairs' *Repatriation Health Card – for All Conditions (Gold)*, that is embossed Totally and Permanently Incapacitated (TPI) with the DVA file number beginning with the letter 'Q' to signify Queensland residency.

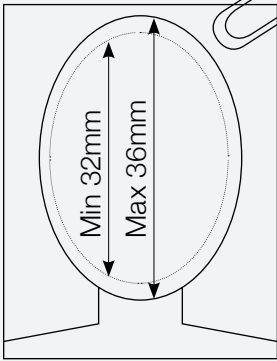
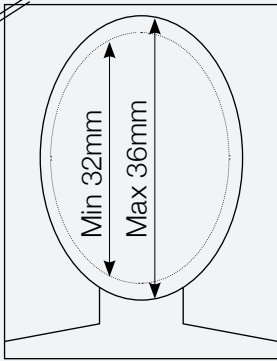
The TPI Veteran Travel Pass is not transferable and travel entitlements do not extend to spouses, dependants or carers.

The TPI Veteran Travel Pass must be presented when using an approved public transport service or upon request by an authorised person or driver and must be carried by the holder at all times.

How to apply

1. Please complete your personal details.
2. Attach a photocopy of your DVA Gold Card that is embossed TPI.
3. Attach two photographs (one of which must be verified by an authorised witness).

**Paper clip your
photographs here.
Refer to page 3 for
photograph specifications.**

		I certify this is a true photograph of <hr/> <small>(insert member's full name)</small> the person in my presence. <hr/> <small>(witness' signature)</small> <hr/> <small>/ /</small> <small>(date)</small>
---	--	---

Applicant's personal details

Mr Mrs Ms Miss Dr Other

First name (block letters)

Last name (block letters)

Permanent residential address

Postal address (if different to above)

Date of birth

DVA file number:

Phone:

Email (if relevant):

Photographs

For new applications, two photographs that meet the specifications below, must be supplied. Please attach these photographs to page two of this form (**paper clip only, please do not staple**).

Conventional and digital photography and printing methods will be accepted provided photographs are printed without visible pixels or dot patterns and they have not been manipulated.

Photograph specifications

Photographs must:

- be passport size, which is 45-50 mm high and 35-40 mm wide
- be in colour, printed on photo-quality paper using a high resolution
- have a plain, light coloured background
- show the applicant's head and top of shoulders
- show the applicant looking directly at the camera.

On the reverse side of one photograph, an authorised witness must declare, sign and date as follows: *I certify that this is a true photograph of (insert applicant's full name) the person in my presence.*

Declaration by authorised witness of photograph

Please tick one box

- Justice of the Peace or Commissioner of Declarations
- Police Officer
- Medical Practitioner
- Solicitor, Barrister or Judge

Full name of authorised witness

I declare that I meet the requirements to make this declaration. I am satisfied that the photograph witnessed by myself represents the applicant's true identity.

Signature of authorised witness

Date

Declaration

I certify the details provided by me are true and correct. I authorise the Department of Transport and Main Roads to make reasonable enquiries to verify any details provided in this application. *If applicant is unable to sign, guardian/carer can sign on your behalf (must be 18 years of age or over).*

Signature:

Date:

Tick box if carer
is signing

Submitting your application

Please post your completed application (making sure to attach your photographs and photocopy of your DVA Gold Card that is embossed TPI) to:

✉ TPI Veteran Travel Pass Reply Paid 1139 Eagle Farm Qld 4009

For further information about the progress of your TPI Veteran Travel Pass application, please phone 3861 8013.

For more information about where to use your TPI Veteran Travel Pass, visit the Department of Transport and Main Roads website:

🌐 www.tmr.qld.gov.au or email: PTConcessions@tmr.qld.gov.au

Interpreter service: 13 14 50

National relay service TTY and modem: 13 36 77

Direct TTY: 3369 3377

Speech to speech relay service: 1300 555 727

Privacy Notice

The Department of Transport and Main Roads is collecting the information on this form for the purposes of processing your eligibility for the Totally and Permanently Incapacitated (TPI) Veteran Travel Pass. Information such as your name, address and DVA file number will be disclosed to the department's contractor ABNote Australasia for the administration, production and delivery of the pass. ABNote Australasia is contracted and bound by the same privacy principles as the department and your personal information will not be used or disclosed to other third parties without your consent unless required to do so by law.

Official staff use only

Pass number:

Issue date: